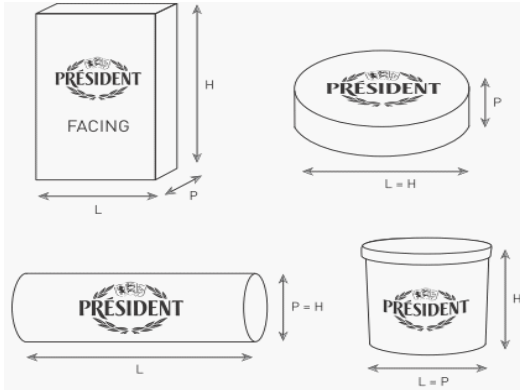
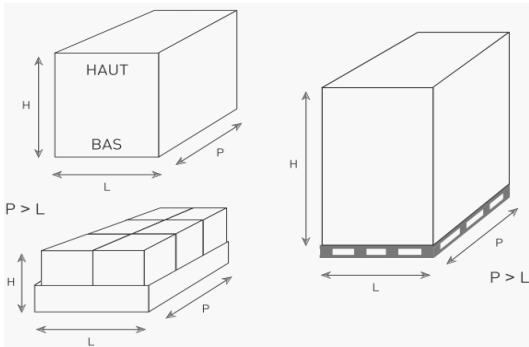




<b>Technical data sheet</b>	
Code + logistic variant	7123.01
EAN 13	5450001110201
Label EAN 13	FR. CUIT NATURE EKABE 40%
Brand	MARQUES DISTRIBUTEURS
Product legal name	Spécialité fromagère fondue
Fat (%) average	12
Fat in dry matter (%) mini	40
Labelled ingredients (including allergens)	<b>Lait écrémé caillé, eau, beurre, sels de fonte (E450, E451, E452), sel, colorant (E160c, E160a). Présence possible de fruits à coque.</b>
Keeping temperature	Entre 2 et 8°C
Origin	Product made in France from milk of French origin
GMO, Ionization, heavy metal, pesticides, dioxin, aflatoxin	The product complies with the regulations, GMO and non-ionized.
Dimensions en mm * (Diameter x Height) - (Lenght x Width x Height)	96 x 65
Net weight (g) at packaging	200
Gross weight (g)	214
Shelf life (in days)	70
Health Mark Number	FR 70.309.001 CE
Production site	MARCILLAT LOULANS 70230 - LOULANS VERCHAMP
ICN Commodity code	0406908200



<b>Logistic data sheet</b>	
<b>CASE</b>	
GTIN 14	03228025062330
Pice per case	12
External Case Dimensions mm * (Lenght x Width x Height)	293 x 390 x 69
Net weight (kg)	2,4
Gross weight (kg)	2,67
Display box	NON
<b>PALLET</b>	
Number of cases per layer	20
Number of layers per pallet	8
Number of cases per pallet	160
Number of pieces per pallet	1920
Pallet Dimensions mm * (Lenght x Width x Height)	800 x 1200 x 1520
Pallet net weight (kg)	384
Pallet gross weight (kg)	452



<b>Average nutrional value</b>	<b>per 100g</b>	<b>per 30g portion</b>	<b>% AR* per portion</b>
Energy (kJ)	695	209	
Energy (kcal)	167	50	2,5%
Fat (g)	12	3,60	5,1%
of which saturated (g)	8	2,40	12,00%
Carbohydrates (g)	1,4	0,42	0,16%
of which sugar (g)	0	0,00	0,00%
Fibers (g)	<2		
Protein (g)	13	3,90	7,8%
Salt (calculated equivalent)	1,48	0,44	7,4%
Sodium (mg)	592	178	