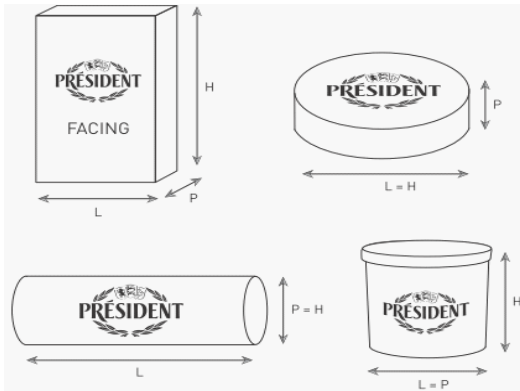
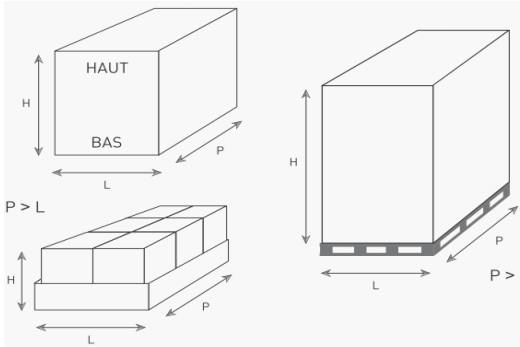




<b>Technical data sheet</b>	
Code + logistic variant	49714.01
EAN 13	3228020490336
Label EAN 13	TR. SANDW. PRESIDENT 200G
Brand	PRESIDENT
Product legal name	FROMAGE FONDU - PROCESSED CHEESE
Fat (%) average	18
Fat in dry matter (%) mini	40
Labelled ingredients (including allergens)	reconstituted skim <b>milk</b> , cheese (cheddar 8%) ( <b>milk</b> ), butter ( <b>milk</b> ), whey ( <b>milk</b> ), <b>milk</b> proteins, emulsifying salts (E450, E452), thickener (E407), salt, acidity regulator (E330), preservative (E202), colouring (E160b)
Keeping temperature	keep between +4°C and +20°C Preferably keep refrigerated after purchase
GMO, Ionization, heavy metal, pesticides, dioxin, aflatoxin	The product complies with the regulations, GMO and non-ionized.
Dimensions en mm * (Diameter x Height) - (Lenght x Width x Height)	90 x 86 x 26
Net weight (g) at packaging	200
Gross weight (g)	207
Shelf life (in days)	365
Health Mark Number	FR 39 300 002 CE
Production site	SOCIETE FROMAGERE DE LONS LE SAUNIER
ICN Commodity code	0406303100



<b>Logistic data sheet</b>	
<b>CASE</b>	
GTIN 14	03228025025403
Pice per case	36
External Case Dimensions mm * (Lenght x Width x Height)	285 x 217 x 207
Net weight (kg)	7,2
Gross weight (kg)	7,44
Display box	NO



<b>PALLET</b>	
Number of cases per layer	13
Number of layers per pallet	7
Number of cases per pallet	91
Number of pieces per pallet	3276
Pallet Dimensions mm * (Lenght x Width x Height)	1200 x 800 x 1599
Pallet net weight (kg)	655,2
Pallet gross weight (kg)	731,22

<b>Average nutrional value</b>	<b>per 100g</b>	<b>per 20g slice</b>	<b>% AR* per portion</b>
Energy (kJ)	1032	206	
Energy (kcal)	248	50	2,5%
Fat (g)	18	3,60	5,1%
of which saturated (g)	13	2,60	13,00%
Carbohydrates (g)	7,5	1,50	0,58%
of which sugar (g)	6	1,20	1,3%
Fibers (g)	traces		
Protein (g)	14	2,80	5,6%
Salt (calculated equivalent)	2,40	0,48	8,0%
Sodium (mg)	960	192	
Calcium (mg)	400	80	10%
	50%	Reference Daily Intakes of calcium per 100g	